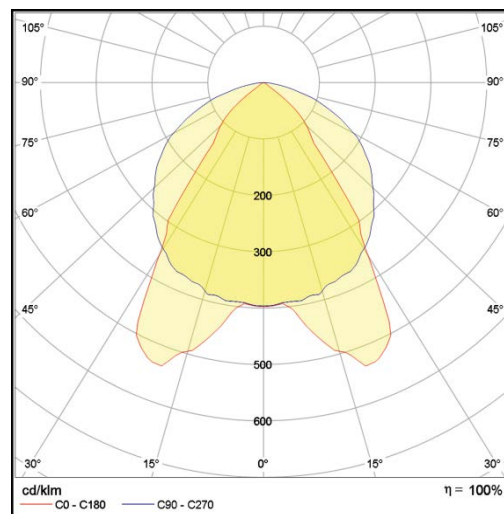


# L2 Billboard Style



## LP-L2-85212 W 840

Art. No 130411581

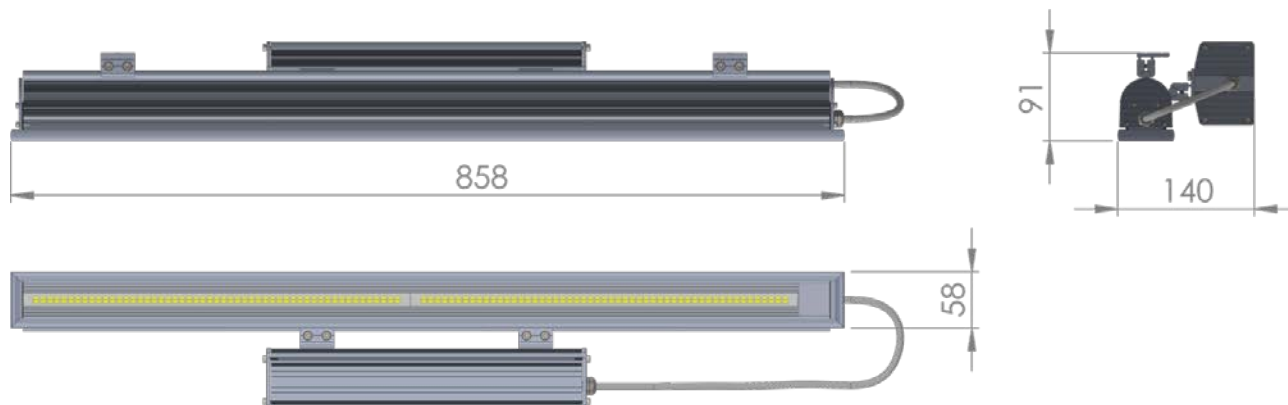


Luminous flux	7080 lm
Luminaire efficiency	101 lm/W
CRI	> 80
Correlated colour temperature	4000 K
Rated power	70 W
LED	Samsung LM561B
Dimmable	NO
Input current	0.304 A
Working voltage	AC 220-240 V
Ingress protection code	IP67
Mech. impact protection code	IK08
Working temperature	-50 to +45°C

Service life	80 000 hours at 80% luminous flux
Housing	Aluminium
Diffuser	Tempered Glass
Installation	Surface mounting
Dimensions – LxWxH	858x140x91 mm
Weight	4.5 kg
Mark	CE, RoHS
Origin	EU
Manufacturer	Solar LED Power Ltd.



Dimensional drawing:



Solar LED Power Ltd. is constantly developing and improving its products. The right is reserved to change specifications without prior notification.